

VARIANT MODULAR FREEDOM FOR COMPLEX RECONSTRUCTIONS

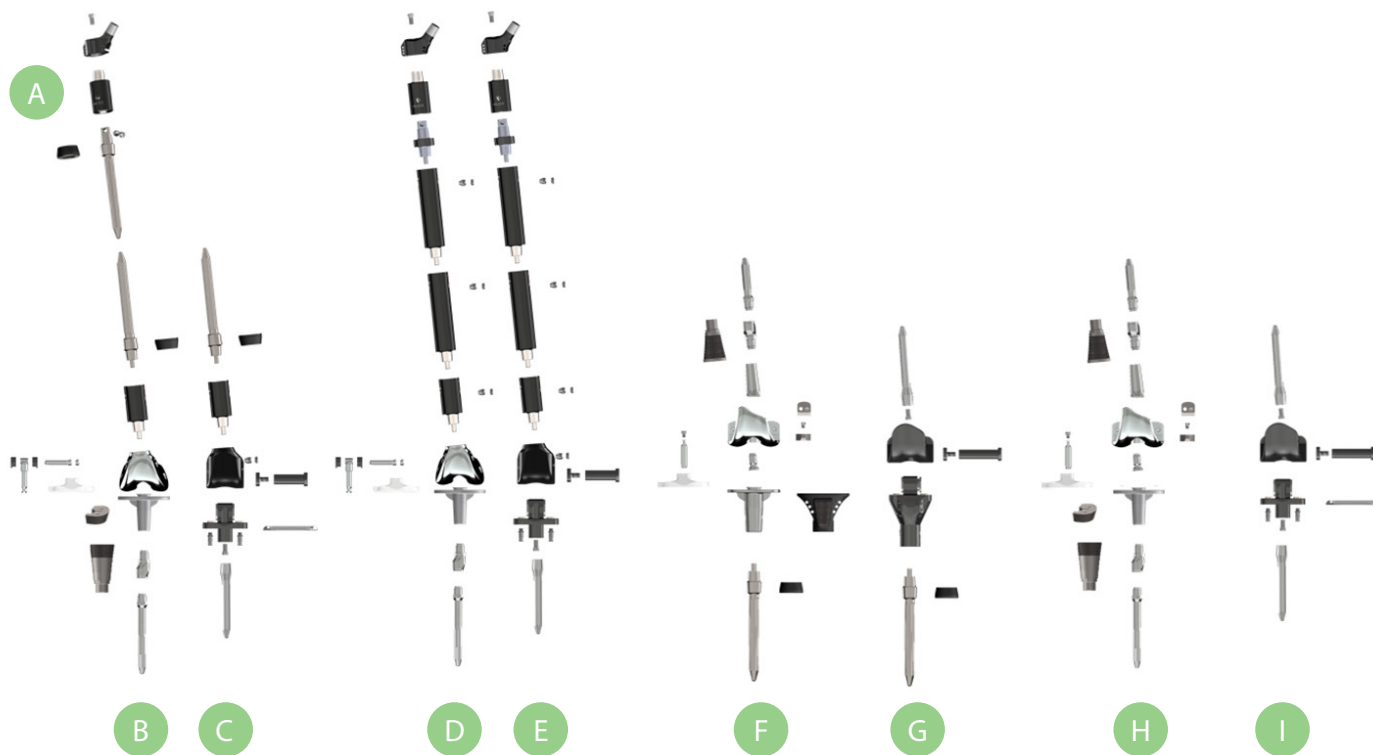
COMPREHENSIVE TREATMENT OF THE LOWER LIMB





- Rotating tibial plateau
- Modular implant design
- Wide range of sizes
- Full interchangeability of components
- For moderate to severe bone defects of the lower extremity
- DLC surface coating

LOWER LIMB REPLACEMENT SYSTEM CONFIGURATION – VARIANT



- A** – Proximal Femur Replacement
- B** – Distal Femur Replacement with Rotating Hinge
- C** – Distal Femur Replacement with Fixed Hinge
- D** – Total Femur Replacement with Rotating Hinge
- E** – Total Femur Replacement with Fixed Hinge

- F** – Proximal Tibia Replacement with Rotating Hinge
- G** – Proximal Tibia Replacement with Fixed Hinge
- H** – Knee Joint Replacement with Rotating Hinge
- I** – Knee Joint Replacement with Fixed Hinge

A PROXIMAL FEMUR REPLACEMENT



Item	Basic UDI-DI	Name
1	8592395O01210-280D8	CoCrMo Head
	8592395O01212-280DW	CoCrMo Head with DLC Coating
2	8592395O01212-001CW	Proximal Femoral Component
	8592395O01212-002CY	Proximal Femoral Component, Rotating
3	8592395O01000-002AT	Segmental Stem, Cemented
	8592395O01001-002B6	Segmental Stem, Uncemented
4	8592395O01000-002AT	Collar, Cemented
	8592395O01001-002B6	Collar, Uncemented
5 (Optional)	8592395O01002-001BF	Extension Segment

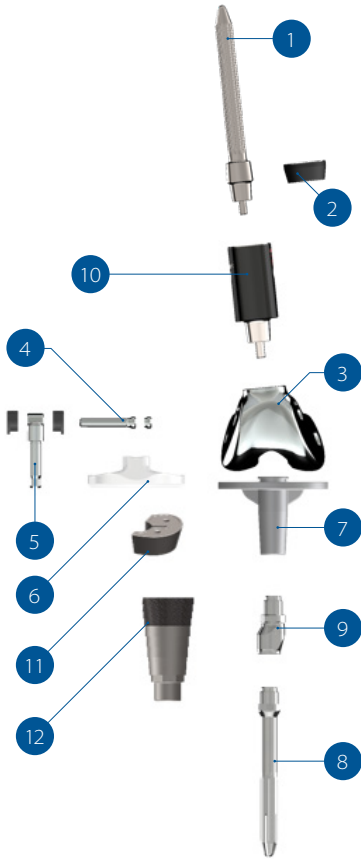
CEMENTED / UNCEMENTED COLLARS

CONTINUOUSLY
ADJUSTABLE
NECK ANTEVERSION

MINIMUM REQUIRED
OSTEOTOMY: 60 MM

B

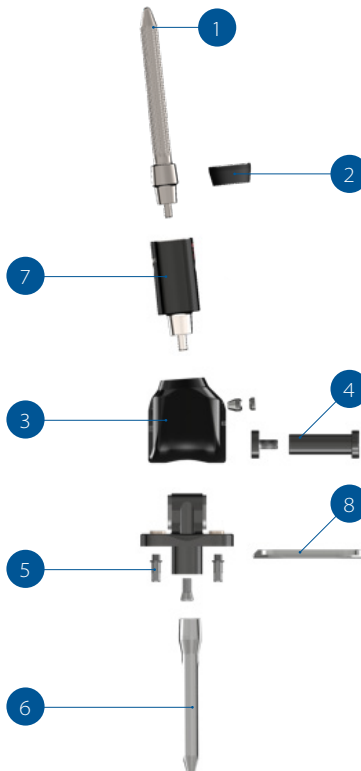
DISTAL FEMUR REPLACEMENT WITH ROTATING HINGE



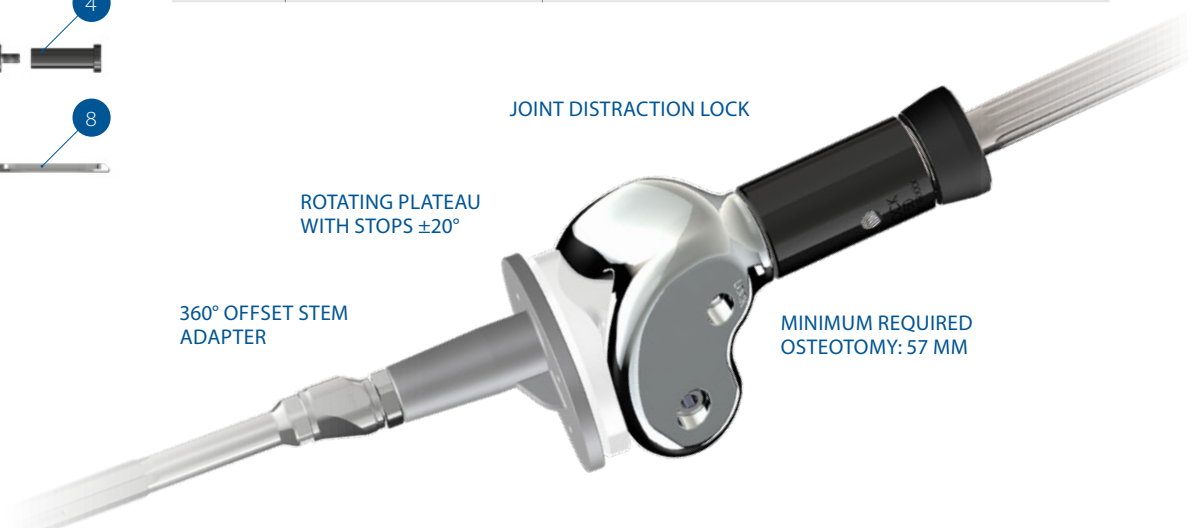
Item	Basic UDI-DI	Name
1	8592395001000-002AT	Segmental Stem, Cemented
	8592395001001-002B6	Segmental Stem, Uncemented
2	8592395001000-002AT	Collar, Cemented
	8592395001001-002B6	Collar, Uncemented
3	8592395001120-010C5	Distal Femoral Component
	8592395001122-010CT	Distal Femoral Component with DLC Coating
4	8592395001110-013BW	Bushing Set with Pin
	8592395001112-013CL	Bushing Set with Pin with DLC Coating
5	8592395001110-012BU	One-Piece Hinge Support, Axially Locked
	8592395001112-012CJ	One-Piece Hinge Support, Axially Locked, with DLC Coating
6	8592395001150-011DE	Tibial Insert, Rotating
7	8592395001140-010CX	Tibial Component, Rotating, Cemented
	8592395001142-010DM	Tibial Component, Rotating, Cemented, with DLC Coating
8	8592395001101-002BP	Universal Stem, Uncemented
	8592395001100-002BC	Universal Stem, Cemented
9 (Optional)	8592395001100-003BE	Offset Adapter
10 (Optional)	8592395001002-001BF	Extension Segment
11 (Optional)	8592395001140-024DA	Tibial Block Augmentation
12 (Optional)	8592395001141-003DD	Metaphyseal Tibial Augmentation

C

DISTAL FEMUR REPLACEMENT WITH FIXED HINGE



Item	Basic UDI-DI	Name
1	8592395001000-002AT	Segmental Stem, Cemented
	8592395001001-002B6	Segmental Stem, Uncemented
2	8592395001000-002AT	Collar, Cemented
	8592395001001-002B6	Collar, Uncemented
3	8592395001432-001ES	Distal Femoral Component, Fixed Hinge
4	8592395001401-002DA	Bushing Set with Fixed Hinge Pin
5	8592395001442-001F7	Tibial Component, Fixed Hinge
6	8592395001400-001CV	Stem, Cemented
	8592395001401-001D8	Stem, Uncemented
7 (Optional)	8592395001002-001BF	Extension Segment
8 (Optional)	8592395001442-003FB	Tibial Plateau Augmentation



JOINT DISTRACTION LOCK

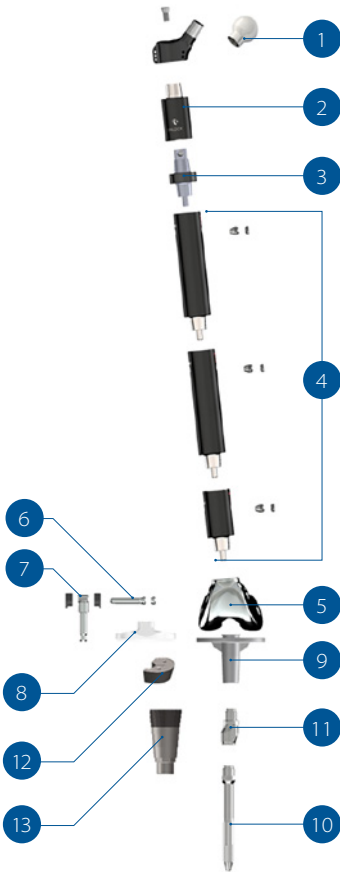
ROTATING PLATEAU WITH STOPS ±20°

360° OFFSET STEM ADAPTER

MINIMUM REQUIRED OSTEOTOMY: 57 MM

D

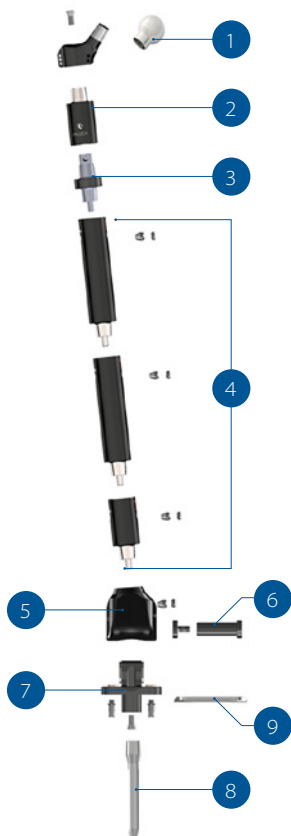
TOTAL FEMUR REPLACEMENT WITH ROTATING HINGE



Item	Basic UDI-DI	Name
1	8592395001210-280D8	CoCrMo Head
	8592395001212-280DW	CoCrMo Head with DLC Coating
2	8592395001212-001CW	Proximal Femoral Component
	8592395001212-002CY	Proximal Femoral Component, Rotating
3	8592395001002-014BQ	Total Femur Connecting Segment
4	8592395001002-001BF	Extension Segment
5	8592395001120-010C5	Distal Femoral Component
	8592395001122-010CT	Distal Femoral Component with DLC Coating
6	8592395001110-013BW	Bushing Set with Pin
	8592395001112-013CL	Bushing Set with Pin with DLC Coating
7	8592395001110-012BU	One-Piece Hinge Support, Axially Locked
	8592395001112-012CJ	One-Piece Hinge Support, Axially Locked, with DLC Coating
8	8592395001150-011DE	Tibial Insert, Rotating
9	8592395001140-010CX	Tibial Component, Rotating, Cemented
	8592395001142-010DM	Tibial Component, Rotating, Cemented, with DLC Coating
10	8592395001101-002BP	Universal Stem, Uncemented
	8592395001100-002BC	Universal Stem, Cemented
11 (Optional)	8592395001100-003BE	Offset Adapter
12 (Optional)	8592395001140-024DA	Tibial Block Augmentation
13 (Optional)	8592395001141-003DD	Metaphyseal Tibial Augmentation

E

TOTAL FEMUR REPLACEMENT WITH FIXED HINGE

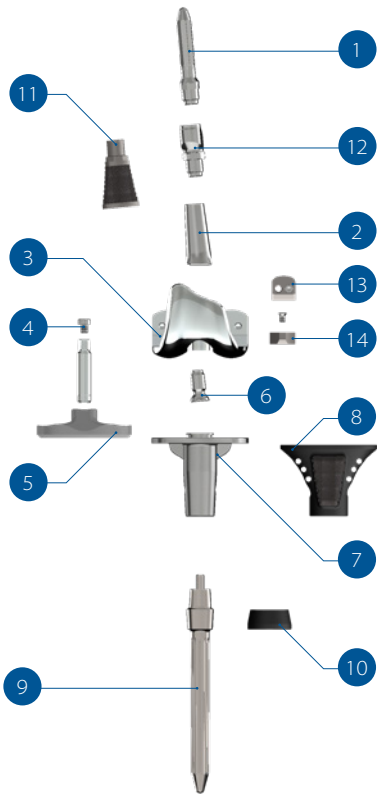


Item	Basic UDI-DI	Name
1	8592395001210-280D8	CoCrMo Head
	8592395001212-280DW	CoCrMo Head with DLC Coating
2	8592395001212-001CW	Proximal Femoral Component
	8592395001212-002CY	Proximal Femoral Component, Rotating
3	8592395001002-014BQ	Total Femur Connecting Segment
4	8592395001002-001BF	Extension Segment
5	8592395001432-001ES	Distal Femoral Component, Fixed Hinge
6	8592395001401-002DA	Bushing Set with Fixed Hinge Pin
7	8592395001442-001F7	Tibial Component, Fixed Hinge
8	8592395001400-001CV	Stem, Cemented
	8592395001401-001D8	Stem, Uncemented
9 (Optional)	8592395001442-003FB	Tibial Plateau Augmentation



F

PROXIMAL TIBIA REPLACEMENT WITH ROTATING HINGE



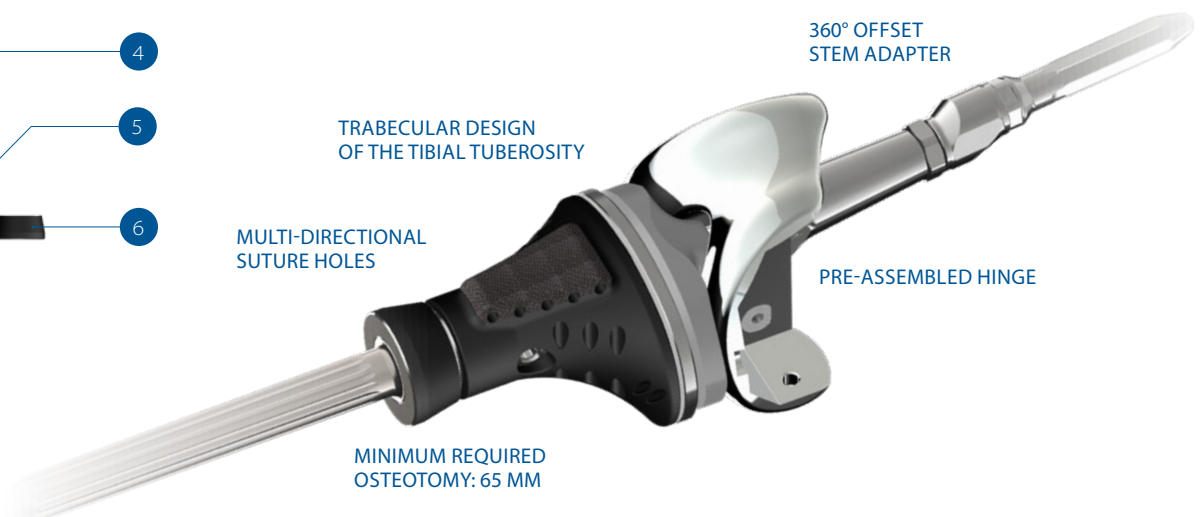
Item	Basic UDI-DI	Name
1	8592395001101-002BP	Universal Stem, Uncemented
	8592395001100-002BC	Universal Stem, Cemented
2	8592395001170-006EF	Femoral Stem Adapter
	8592395001170-010E6	Femoral Component, Rotating Hinge
3	8592395001172-010E6	Femoral Component, Rotating Hinge, with DLC Coating
	8592395001172-010EU	Femoral Component, Rotating Hinge, with DLC Coating
4	8592395001170-004EB	Hinge Support, Modular
	8592395001172-004EZ	Hinge Support, Modular, with DLC Coating
5	8592395001150-011DE	Tibial Insert, Rotating
6	8592395001002-005BP	Femoral Stem Adapter Screw
7	8592395001160-012DV	Proximal Tibial Replacement Component
	8592395001162-012EK	Proximal Tibial Replacement Component with DLC Coating
8	8592395001162-011EH	Proximal Tibial Replacement Sleeve
9	8592395001000-002AT	Segmental Stem, Cemented
	8592395001001-002B6	Segmental Stem, Uncemented
10	8592395001000-002AT	Collar, Cemented
	8592395001001-002B6	Collar, Uncemented
11 (Optional)	8592395001171-007EU	Metaphyseal Femoral Augmentation
12 (Optional)	8592395001100-003BE	Offset Adapter
13 (Optional)	8592395001170-029ET	Posterior Femoral Augmentation
14 (Optional)	8592395001170-028ER	Distal Femoral Augmentation

G

PROXIMAL TIBIA REPLACEMENT WITH FIXED HINGE



Item	Basic UDI-DI	Name
1	8592395001400-001CV	Stem, Cemented
	8592395001401-001D8	Stem, Uncemented
2	8592395001412-001DY	Femoral Component, Fixed Hinge
3	8592395001401-002DA	Bushing Set with Fixed Hinge Pin
4	8592395001452-001FL	Proximal Tibial Component, Fixed Hinge
5	8592395001000-002AT	Segmental Stem, Cemented
	8592395001001-002B6	Segmental Stem, Uncemented
6	8592395001000-002AT	Collar, Cemented
	8592395001001-002B6	Collar, Uncemented
7 (Optional)	8592395001002-001BF	Extension Segment



H

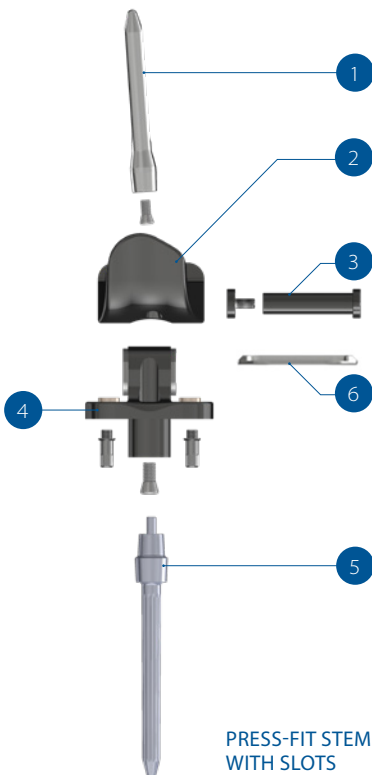
KNEE JOINT REPLACEMENT WITH ROTATING HINGE



Item	Basic UDI-DI	Name
1	8592395001101-002BP	Universal Stem, Uncemented
	8592395001100-002BC	Universal Stem, Cemented
2	8592395001170-006EF	Femoral Stem Adapter
3	8592395001170-010E6	Femoral Component, Rotating Hinge
	8592395001172-010EU	Femoral Component, Rotating Hinge, with DLC Coating
4	8592395001170-004EB	Hinge Support, Modular
	8592395001172-004EZ	Hinge Support, Modular, with DLC Coating
5	8592395001150-011DE	Tibial Insert, Rotating
6	8592395001002-005BP	Femoral Stem Adapter Screw
7	8592395001140-010CX	Tibial Component, Rotating, Cemented
	8592395001142-010DM	Tibial Component, Rotating, Cemented, with DLC Coating
8		See item 1
9 (Optional)	8592395001171-007EU	Metaphyseal Femoral Augmentation
10 (Optional)	8592395001100-003BE	Offset Adapter
11 (Optional)	8592395001170-029ET	Posterior Femoral Augmentation
12 (Optional)	8592395001170-028ER	Distal Femoral Augmentation
13 (Optional)	8592395001140-024DA	Tibial Block Augmentation
14 (Optional)	8592395001141-003DD	Metaphyseal Tibial Augmentation
15 (Optional)		See item 10

I

PROXIMAL TIBIA REPLACEMENT WITH FIXED HINGE



Item	Basic UDI-DI	Name
1	8592395001400-001CV	Stem, Cemented
	8592395001401-001D8	Stem, Uncemented
2	8592395001412-001DY	Femoral Component, Fixed Hinge
3	8592395001401-002DA	Bushing Set with Fixed Hinge Pin
4	8592395001442-001F7	Tibial Component, Fixed Hinge
5	8592395001000-002AT	Segmental Stem, Cemented
	8592395001001-002B6	Segmental Stem, Uncemented
6 (Optional)	8592395001442-003FB	Tibial Plateau Augmentation

DISTAL AND POSTERIOR FEMORAL AUGMENTATIONS

TIBIAL BLOCK AUGMENTATIONS

PRE-ASSEMBLED HINGE

METAPHYSEAL AUGMENTATIONS

PRESS-FIT STEMS WITH SLOTS



DISTRIBUTION

MEDIN, a.s.
Vlachovická 619
592 31 Nové Město na Moravě
Czech Republic

tel: +420 312 247 763
e-mail: ortho@medin.cz

www.medin.eu



PRODUCTION AND DEVELOPMENT

ProSpon, spol. s r.o.
Jiřího Voskovce 3206
272 01 Kladno
Czech Republic

www.prospon.cz

2026

